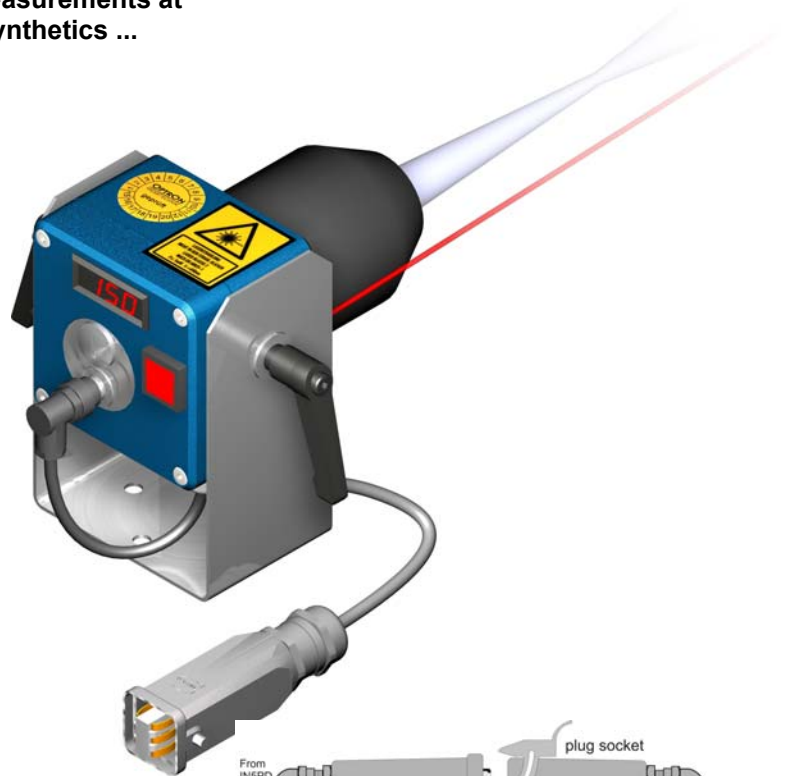


IN5PD

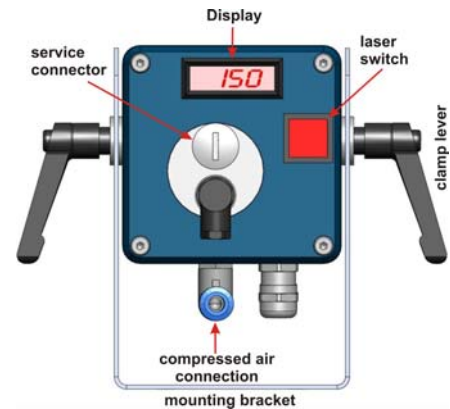
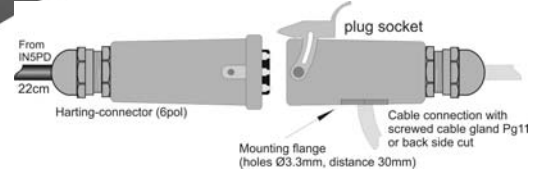
Stationary contactless temperature measure device with pilot laser light and digital indicator for measurements at nonmetallic surfaces e.g. rubber profile, synthetics ...

- Laser protection class 2 for measuring level indication
- back side digital temperature indicator and pilot laser light button
- Compressed air connection 1/8" for hose outer diameter 6mm for air purification (to keep the lens clean)
- complete with 0.2m connection cable with Harting-connector and plug socket; Power supply 230VAC, 9VA (optional 110V) and mounting bracket

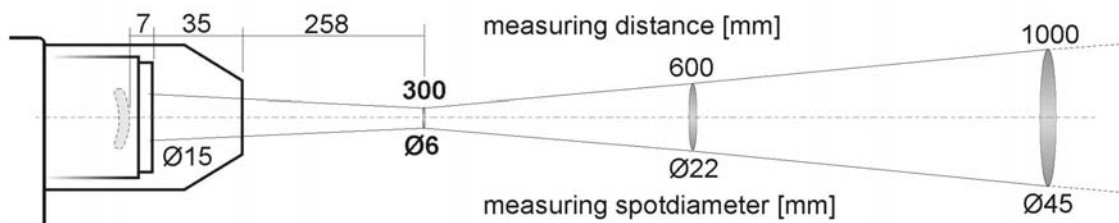


Technical data:

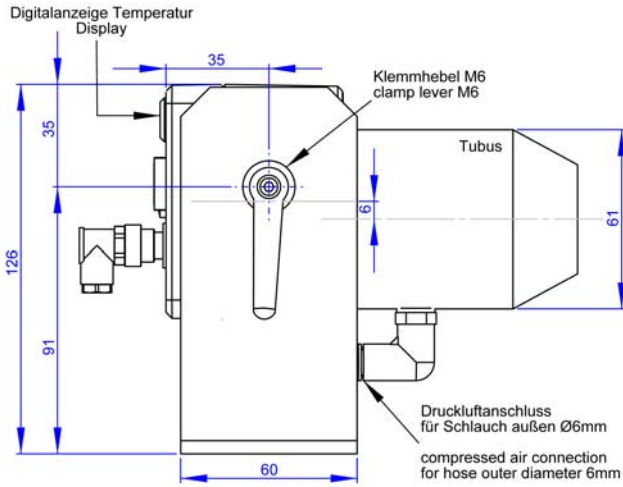
measuring range:	0...300°C (other measuring ranges on request)
measuring distance:	300 mm
measuring spot:	Ø 6 mm (distance 300mm)
measuring output:	4...20 mA
accuracy:	±1% of measured value +1°C ($\epsilon=1$; $T_U=25^\circ\text{C}$; $t_{90}=1\text{s}$)
repeatability:	0.5% of measured +1°C ($\epsilon=1$; $T_U=25^\circ\text{C}$; $t_{90}=1\text{s}$)
spectral range:	8...14 μm
emission factor:	0.95 preset (adjustable by service connector)
response time t_{90} :	0.5s preset (120ms ... 10s adjustable by service connector)
working resistance:	max. 700 Ohm at 24 V
protection class:	IP65 according to DIN 40 050
weight:	approx. 1.5kg (without power supply)
item no.:	121026.1



optics 300 (standard)



dimensions



mounting bracket
stainless steel, thickness 1.5mm

